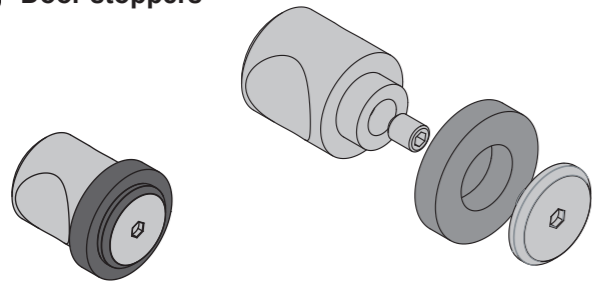


1 Set sliding door fittings Flatec V

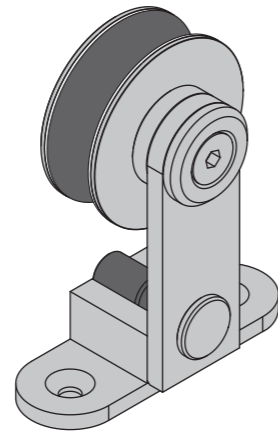
2 Guide rail



3 Door stoppers



4 Trolley complete

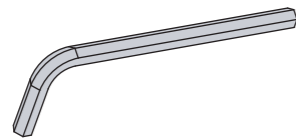


5 Wall fixtures
(without screws and dowels, at construction site)

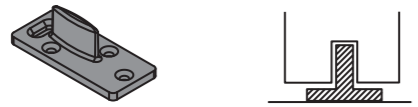


* not included in scope of delivey

6 Special tool



7 Bottom guide



(without screws and dowels, at construction site)

Set Flatec V	Set / Each					
1 Art.-No.	2	3	4	5	6	7
USO96-1800EF	1	2	2	4	1	1
USO96-2100EF	1	2	2	4	1	1
USO96-2300EF	1	2	2	5	1	1
USO96-2540EF	1	2	2	5	1	1

! Comply with all general safety regulations when installing the sliding door fittings!

Installation to be completed by qualified licensed contractor.

Be sure to tighten all screw connections one week after starting to use the sliding door fittings!

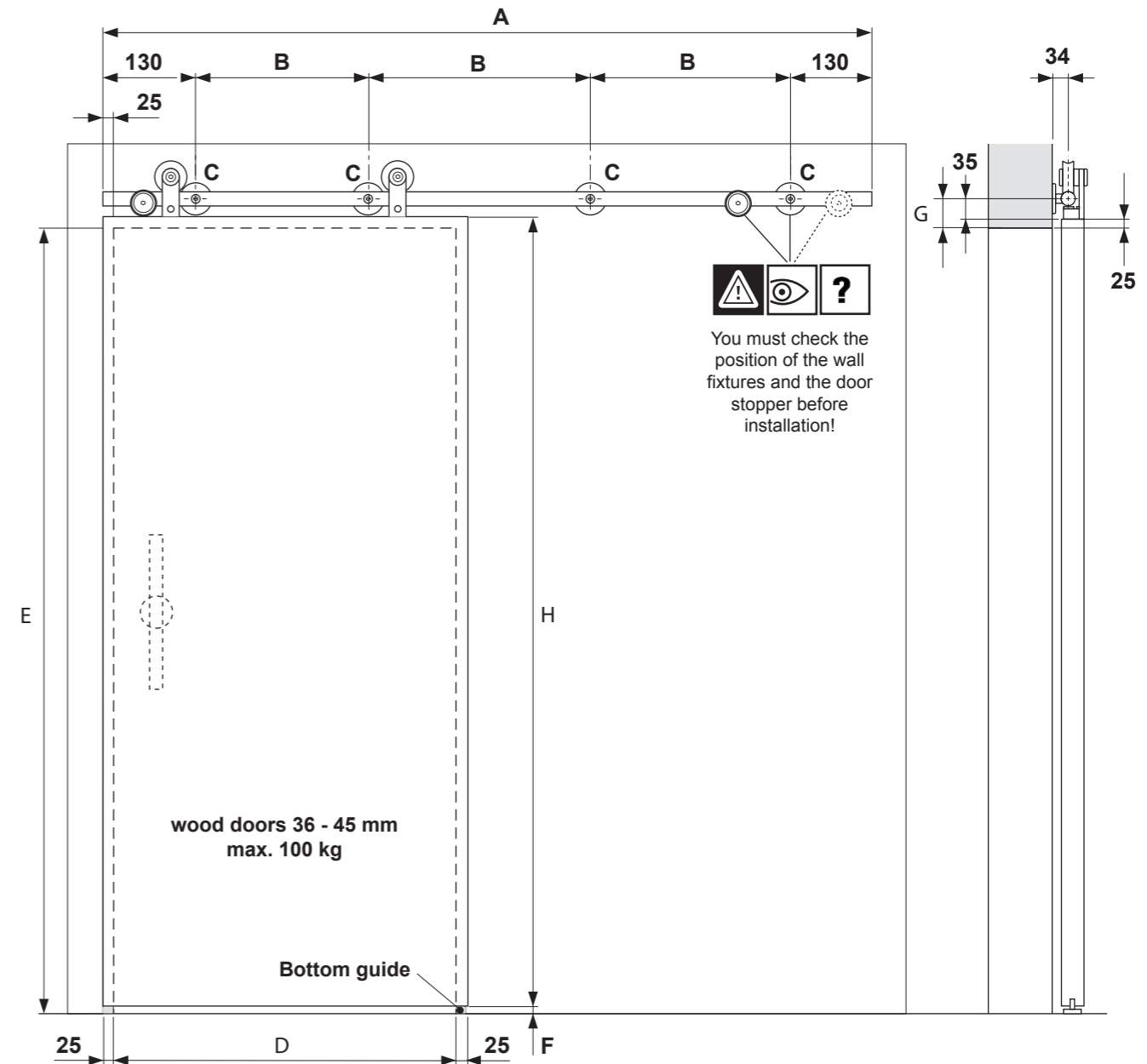
Never use scouring agents to clean the sliding door fittings; rather use commercially available stainless-steel cleaners!

- Attention
- Screw on
- Screw on
- Screw on
- Loosen/Tighten
- Install
- At right angle
- Drill
- Dowels
- Adjust Set
- Level
- Perpendicular
- Measure Mark
- Visual inspection
- Special-tool
- 2 people required
- Measure
- Clarify questions
- See Instructions
- Secure

Installation instructions

Sliding door fittings Flatec V

for wood doors (36 - 45 mm)



Complete-Set's

Set Flatec V Art.-No.	A mm	B mm	C Each	D mm	E max. mm	F mm	G mm	H max. mm (H=E-F+25)
USO96-1800EF	1800	513	4	750-900	2500	7-10	60	2518
USO96-2100EF	2100	613	4	910-1000	2500	7-10	60	2518
USO96-2300EF	2300	510	5	1010-1120	2500	7-10	60	2518
USO96-2540EF	2540	570	5	1130-1250	2500	7-10	60	2518

Right to make technical changes reserved - Dimensions in mm - Version 02.2018
© by ABP-Beyerle GmbH

ABP beyerle
ABP-Beyerle GmbH

Im Schollengarten 24 b, D - 76646 Bruchsal (Germany)

Tel. + 49 - (0) 7257 / 9127 - 0, Fax + 49 - (0) 7257 / 9127 - 29, Email info@abp-beyerle.de, www.abp-beyerle.de

65 30 00.0174_Flatec V_wood-022018jb

ABP beyerle

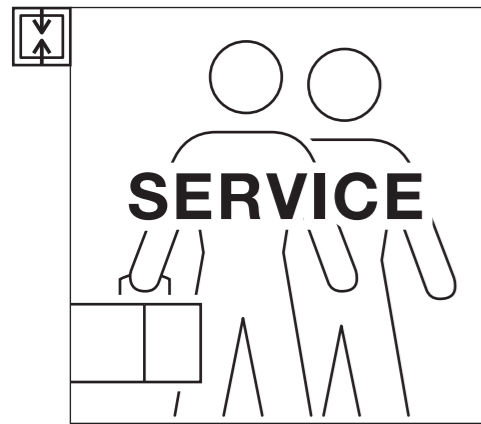


Abb. 1

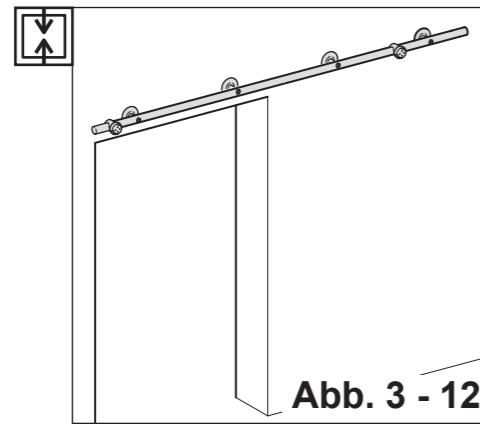


Abb. 2

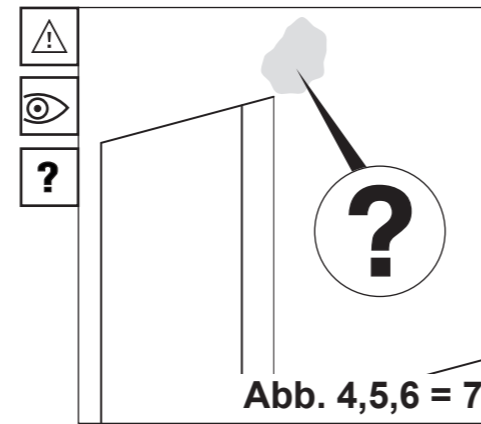


Abb. 3

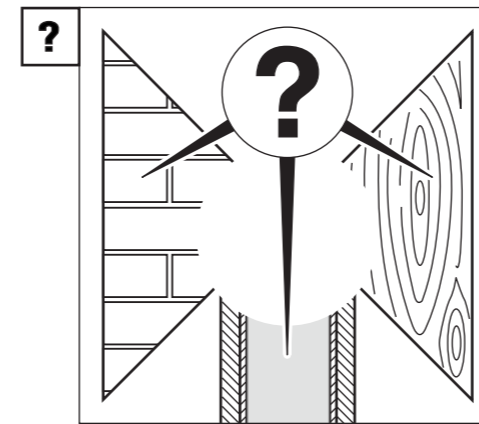


Abb. 4

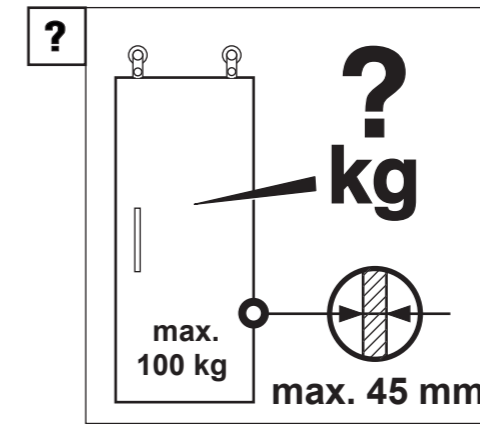


Abb. 5

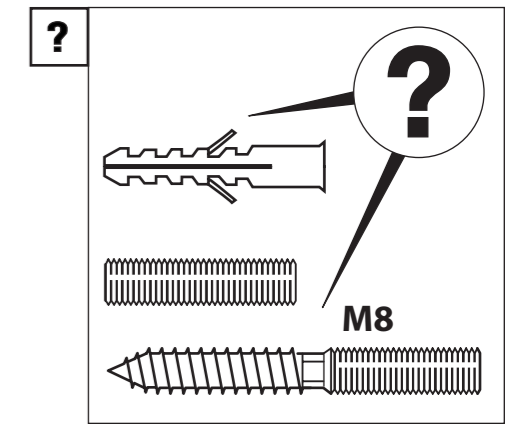


Abb. 6

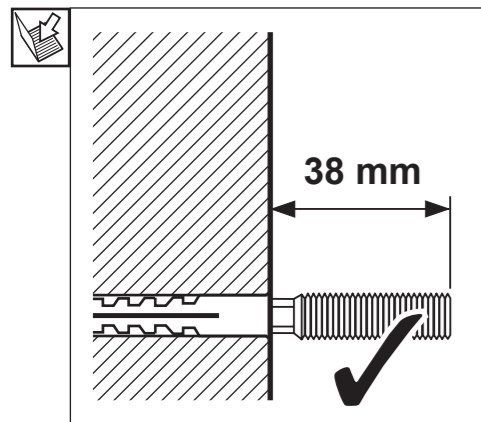


Abb. 7

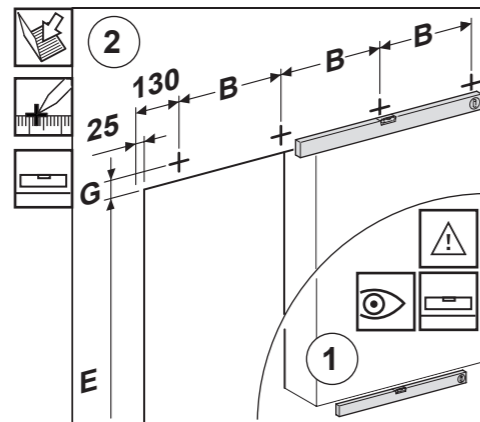


Abb. 8

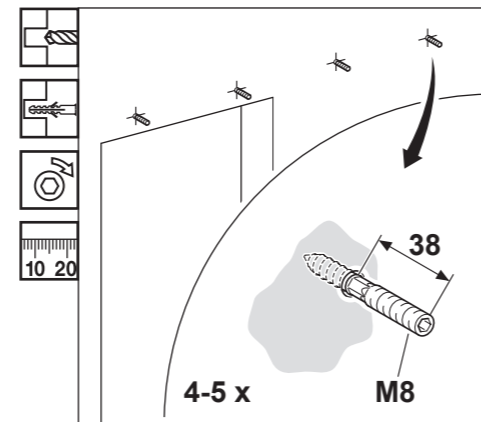


Abb. 9

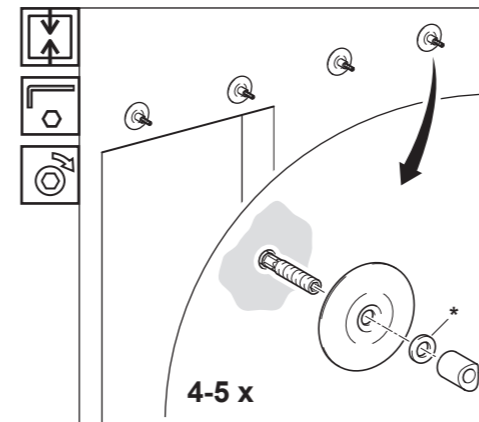


Abb. 10

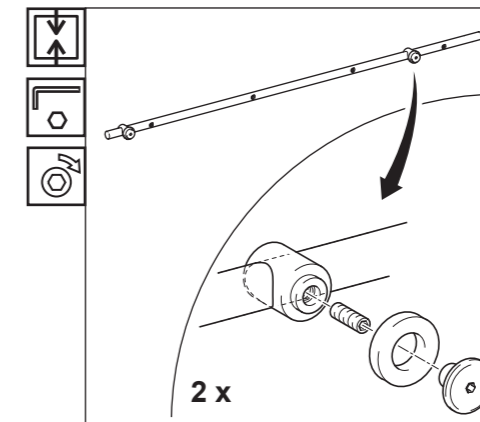


Abb. 11

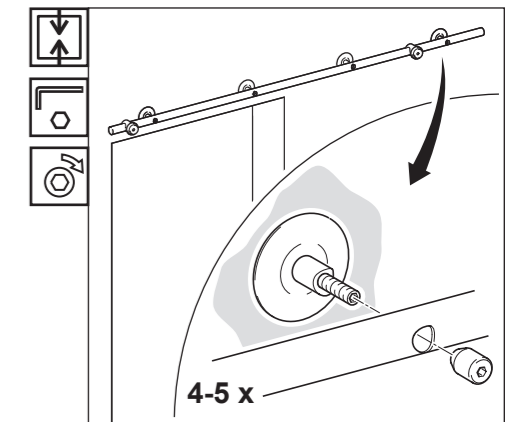


Abb. 12

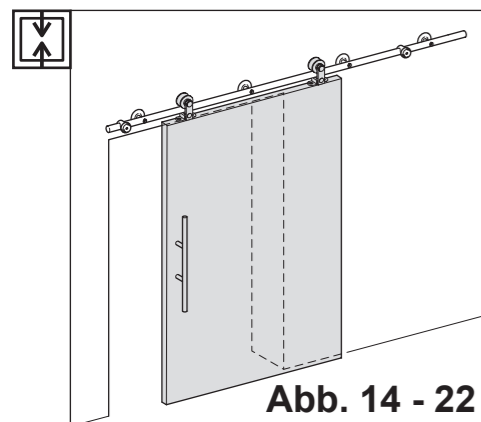


Abb. 13

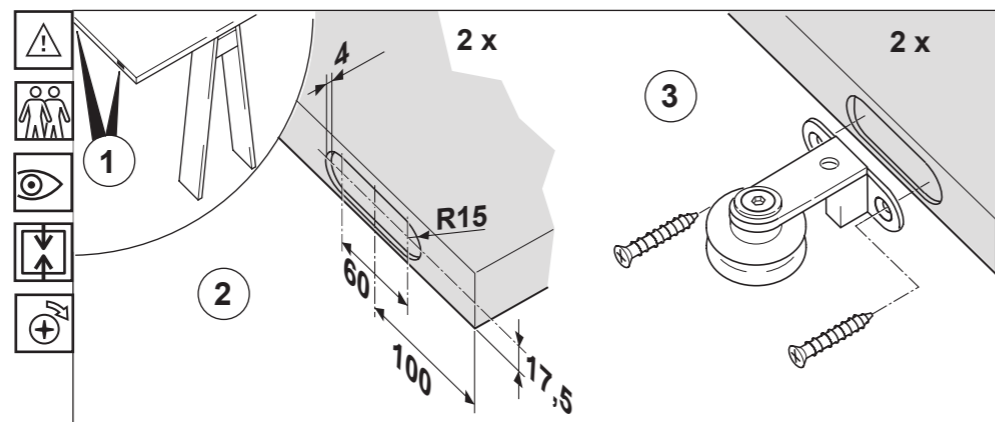


Abb. 14

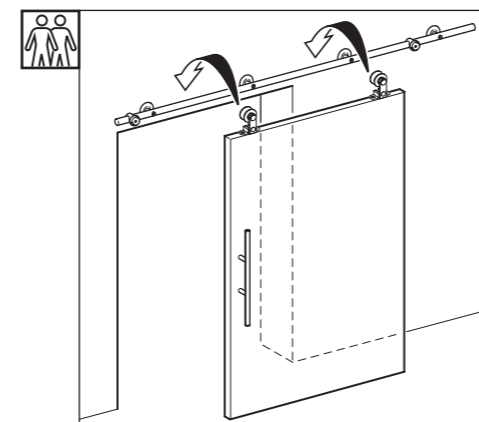


Abb. 15

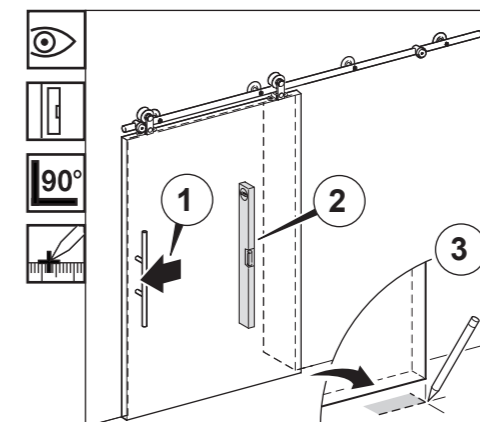


Abb. 16

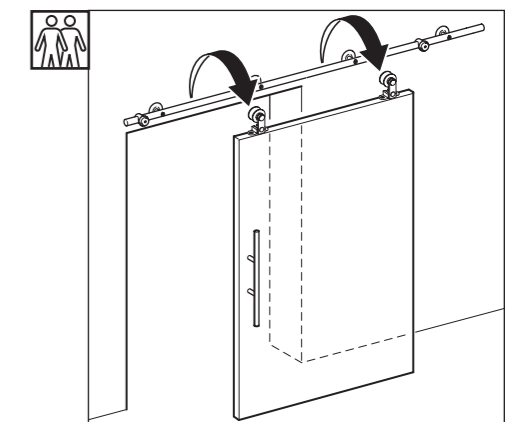


Abb. 17

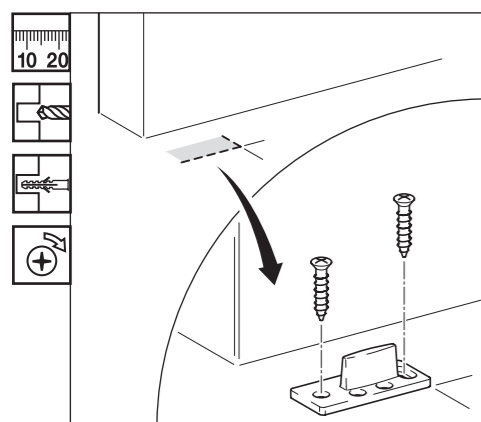


Abb. 18

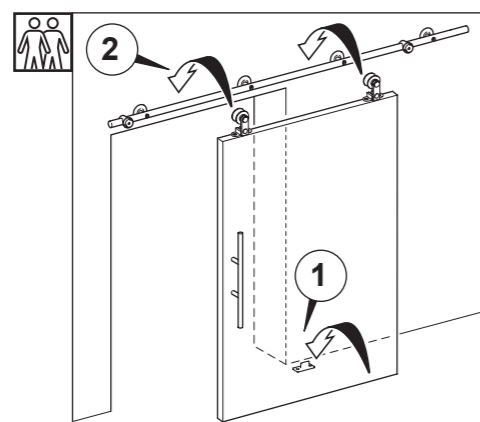


Abb. 19

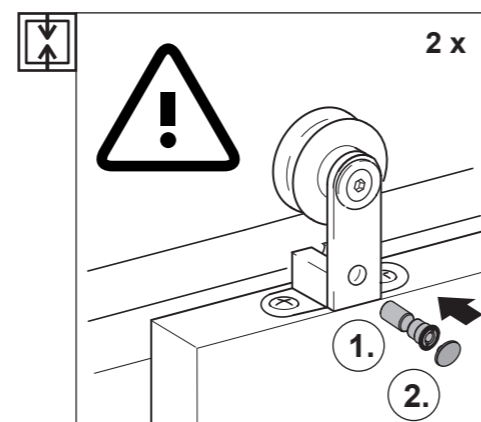


Abb. 20

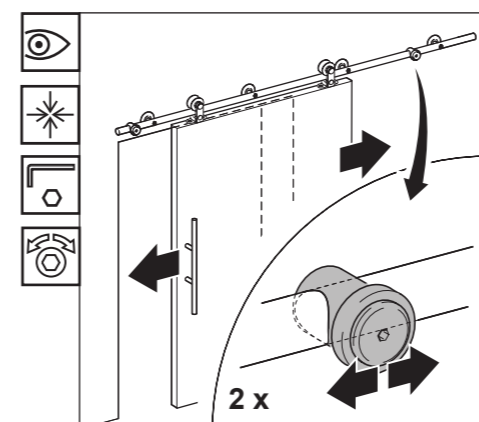


Abb. 21

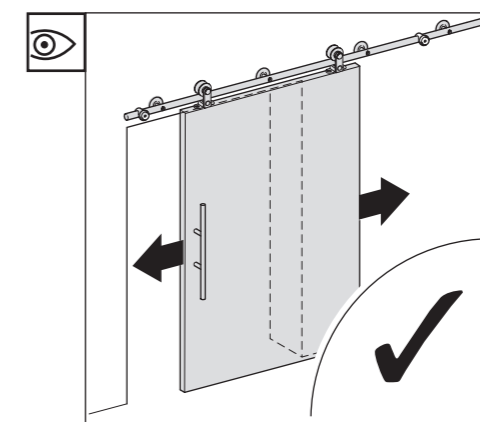


Abb. 22